



Illuminated Call Point Cover

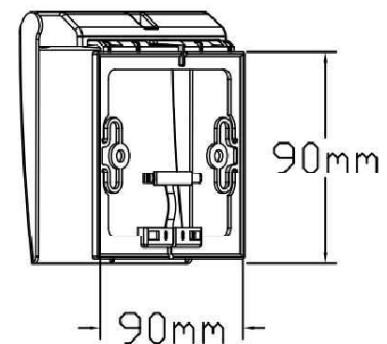
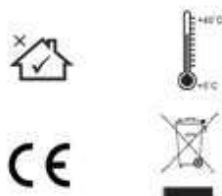
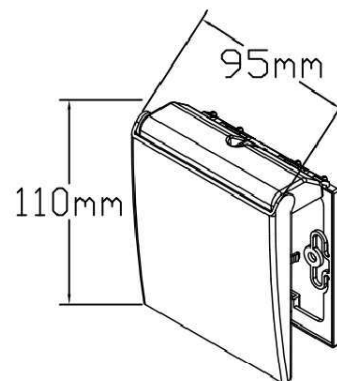


The Alba Illuminated Call Point Cover ensures that the necessary illumination levels are achieved at manual call points as required by standard EN 1838.

It is quick & simple to install & achieves a uniform distribution of light over the front surface of manual call points. In addition to providing constant illumination the protective front cover safeguards the manual call point & reduces the risk of accidental false alarms.

The device acts as a universal solution for the broad range of manual call point brands.

Housing Colour	Red (RAL 3031)
Housing Material	PC/ABS
Protective Cover	Clear Polycarbonate
Weight	62 grams
Dimensions	95 mm (L) x 110 mm (H)
Current Consumption	3 mA @ 24 Vdc



Alba

